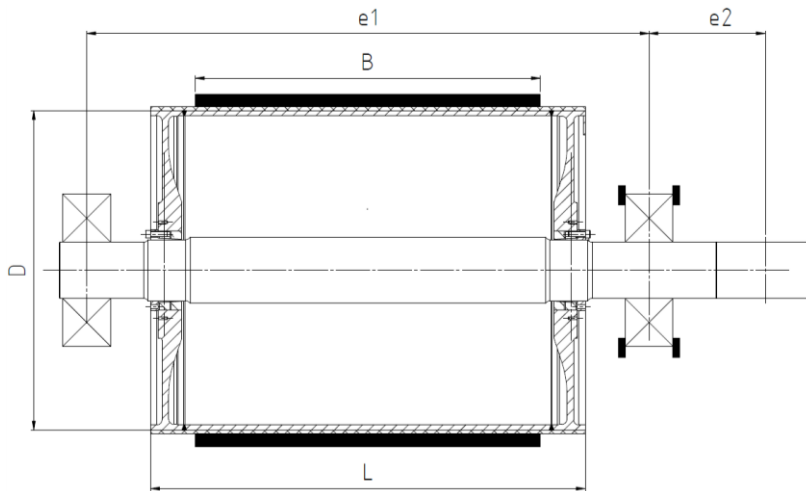


BELT PULLEYS

For highest demands.



Company:
 Address:
 Phone:
 Fax:
 Email:

1. Type of belt pulley

- > drive pulley 1-shaft: 2-shaft:
- > tail pulley
- > snub pulley

2. Technical data of the pulley

- Load**
- > max. resulting belt tension R max: kN
 - > max. belt tension in a strand T₁: kN
 - T₂: kN
 - > arc of contact α: °
 - > max. resulting torque Mt max: kNm
 - > max. radial load of gearing and righting moment F max: kN
 - > belt speed v: m/s
 - > belt width b:mm
 - > face legh l:mm
 - > belt pulley diameter d1:mm
 - > bearing centre distance e1:mm
 - > centre distance; bearing- gearing e2:mm

3. Bearings

- > bearing size (roller bearing)
- > pillow block bearing
- > sliding bearing
- > without

4. Sealings

- > taconite seal
- > labyrinth seal
- > four-lip seal

5. Belt pulley lagging

- Belt pulley lagging:**
- > rubber (hot- vulcanized)
 - > CK-X
 - > solid ceramic

Belt pulley thickness

- 10mm
- 15mm
- 20mm
-mm

Profiling

- > waffle-type structure
- > rhombic design
- > herringbone pattern
- > plain

6. Special requirements

- > dynamic balancing
- > low temperature (<-40°C)
- > bearing life,
- if >30.000 h L:h
- crowned type

7. Further information

.....

